

Frigelux®

RETT136A

Table top fridge

Free standing and built-under counter installation



- + **Gross volume: 136 L**
Global net volume: 102 L
- + **Capacity:**
 - **Number of bottles (50 cl): 115**
 - **Number of cans (33 cl): 169**
 - **Number of slim cans (33 cl): 164**
- + **Energy Class: A+**
- + **Design: stainless steel**
- + **Type of cold: air moving system**
- + **Adjustable temperature range of use: 0°C-10°C**
- + **White LED lights with switch button**
- + **Automatic defrost**
- + **1 plain door with lock, exterior handle**
- + **Electronic thermostat**



Eco-responsibility

Our products are manufactured in compliance with European environmental rules. Especially, refrigerant fluid (R600a) doesn't reject neither CFC nor HFC and respect environment.

Frigelux®

RETT136A

Table top fridge

Free standing and built-under counter installation

> EQUIPMENTS INCLUDED

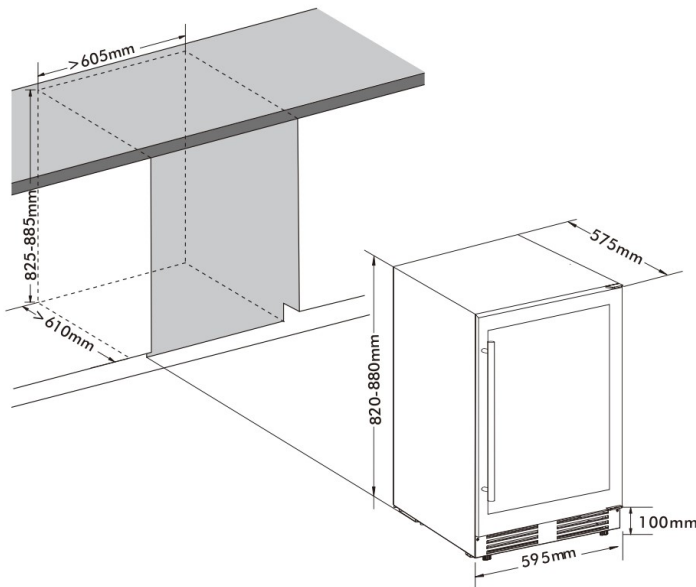
- 3 wire shelves
- 4 adjustable feet (hauteur 6 cm)
- Audible "door open" alarm
- Audible "rise in temperature" alarm

> TECHNICAL CHARACTERISTICS

- Annual electrical consumption: 219 kWh
- Climate class: 5 (40°C - 40%)
- Noise level: 43 dB
- Voltage: 220 V
- Power input: 90 W
- Category: 1 - Fridge
- Type of gas: R600a



For optimal performance, our device operates most efficiently within an ambient temperature range of 10 to 40°C. If the ambient temperature fall below 0°C, we advise switching off the device to prevent any potential operational issues



> LOGISTIC DATAS

Gross dimensions (WxDxH cm)	: 66 x 63,5 x 88,5
Net dimensions (WxDxH cm)	: 59,5 x 57,5 x 82
Gross weight (kg)	: 37.72
Net weight (kg)	: 34.07
Full truck (pcs)	: 0
Container (pcs)	20' : 54
	40' : 108
	40' HC : 0

Gencod 3541362312297

Non-contractual pictures
Last update: 12/06/2024